

Welcome Cardineers,

We designed the CARDTIVITY Tuff Flex plastic card building system for kids who love to BUILD - BIG + FAST! Kids "cardstruct" incredible lightweight models that have the most astounding-looking graphics of any building system in the universe. Our claim to fame!

We know you kids love to build—and all kids build differently. We've seen it all! Some kids just ignore the instructions and start building right from their inventive imaginations. Others just build by looking at the model picture, or, use the written instruction sheet until they get the hang of the system. Don't forget: parents are valuable helpers if you get stuck.

To jump-start your CARDTIVITY creation, we have carefully crafted these step-by-step "How to Build" basic technique instructions along with our easy to understand step-by-step model instructions.

However you end up "cardstructing" we know you will have a blast.

Story Big
the
Inventurer

Keep Imaginating,

JAMIE
the
Imaginologist

Send us your CARDTIVITY creations!!

When you are done building your model let your imagination fly high and design your own CARDTIVITY creation. Then e-mail it to gallery@CARDTIVITY.com and your creation might be posted on our web site gallery.

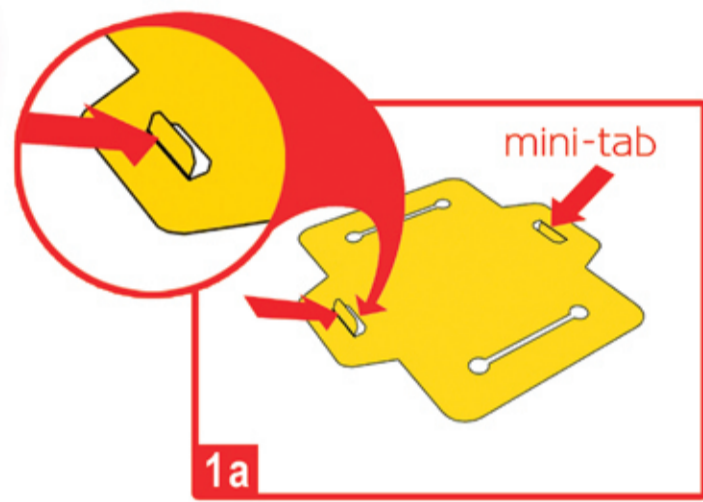
Why do the cards in the instructions look different from the 3D cards in the set?

We decided to use flat colors in both the "How To Build" and model instructions pictures rather than the actual 3d card graphics that come in this set because the flat colors make it easier to see how the cards connect. The colors in the instructions correspond directly to the 3D colors. For example, whenever you see a flat color blue card use an actual 3D blue card from the set. It is the same with all the other colors.

1 Basic Building Techniques

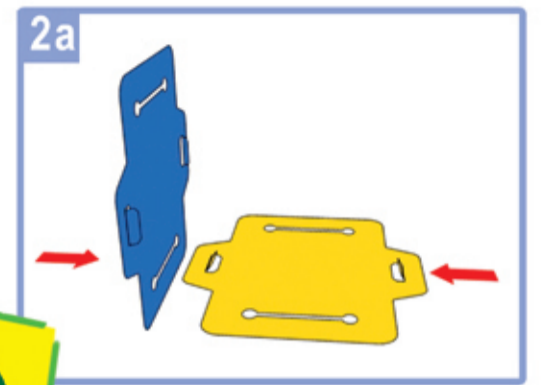
START

by bending out mini-tabs

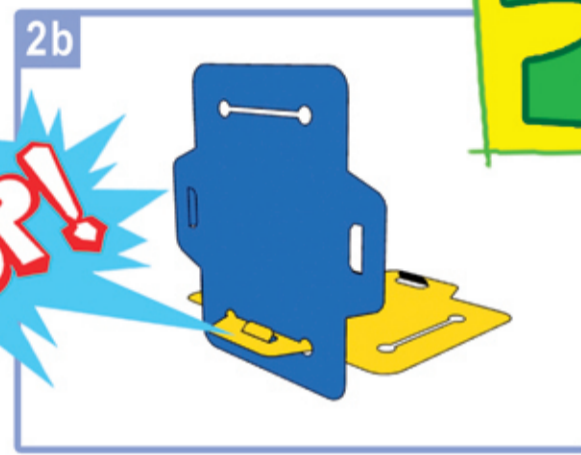


INSERT

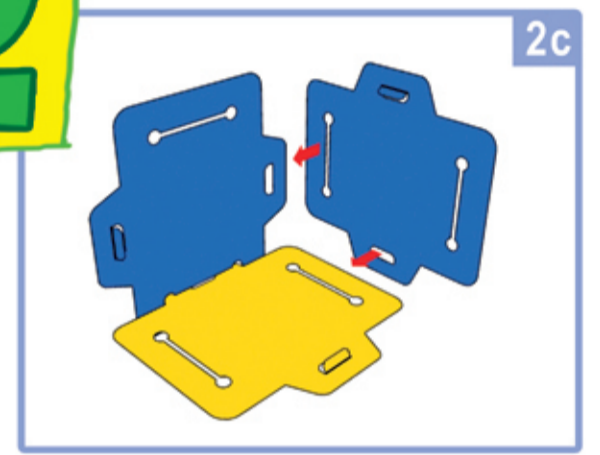
mini-tabs through slots



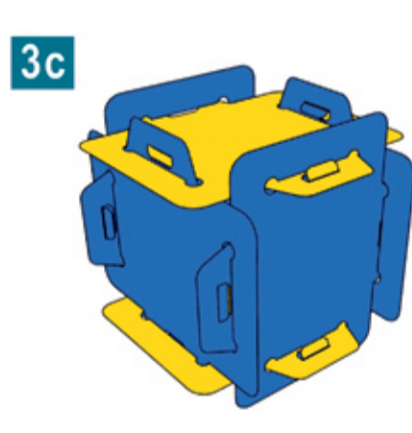
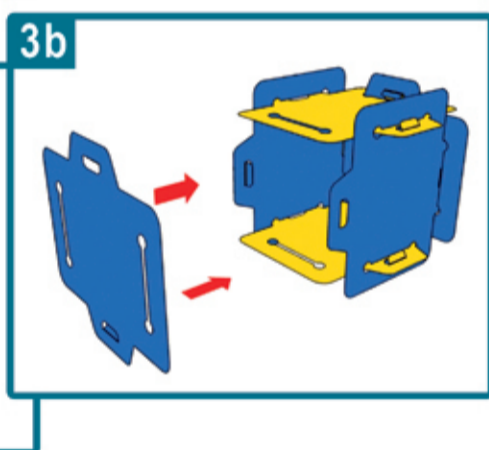
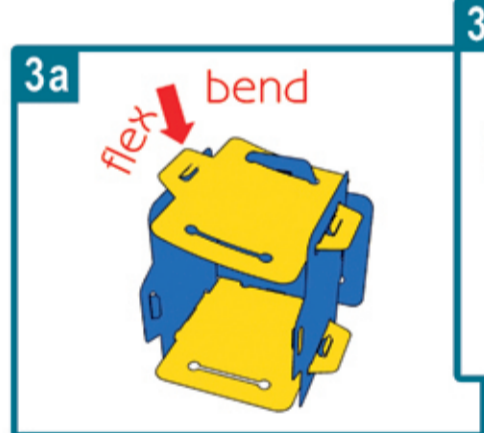
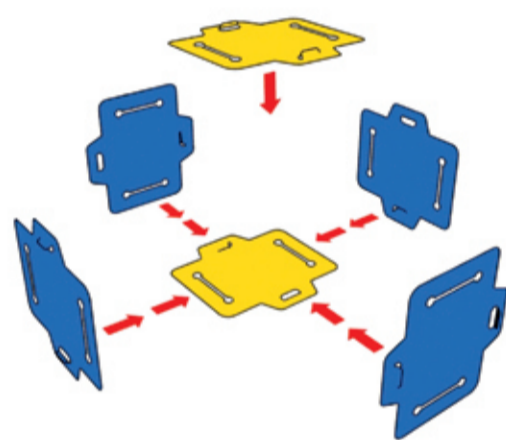
POP!



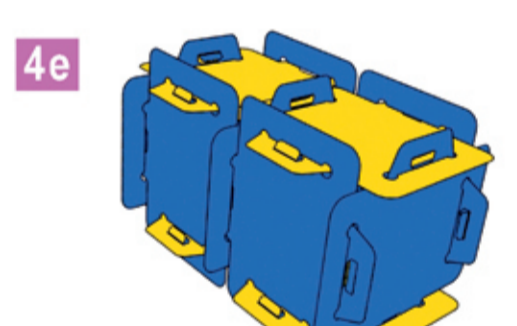
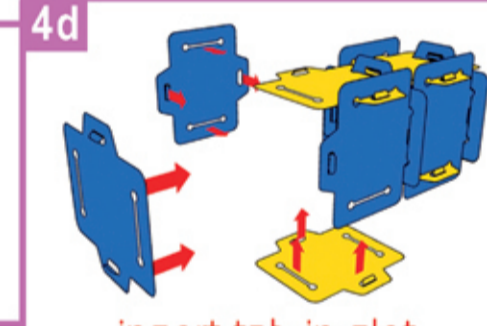
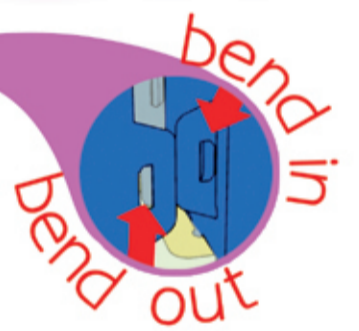
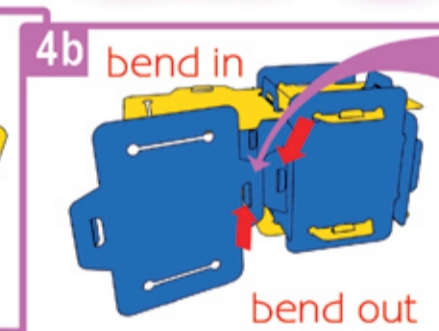
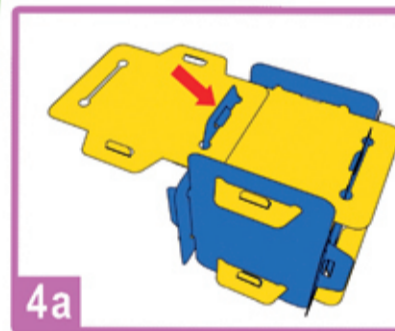
2



3 Building a CUBE



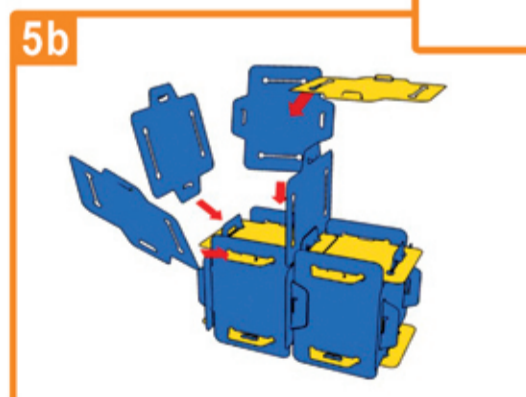
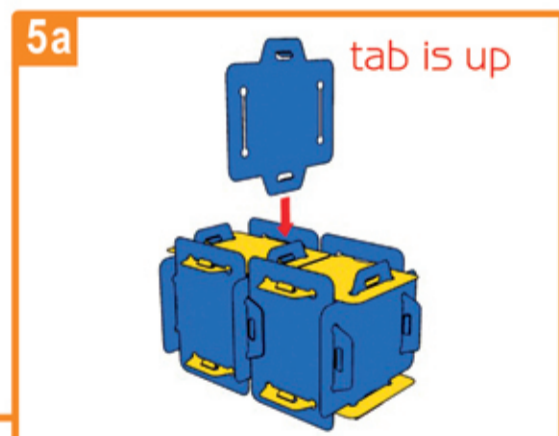
4 ADD ON CUBE



Tab Up Building

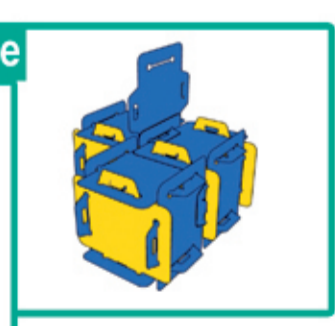
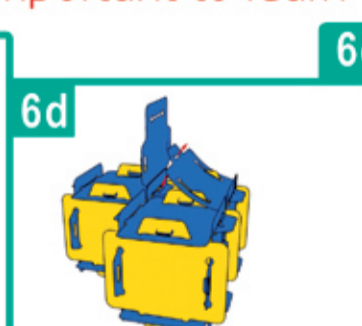
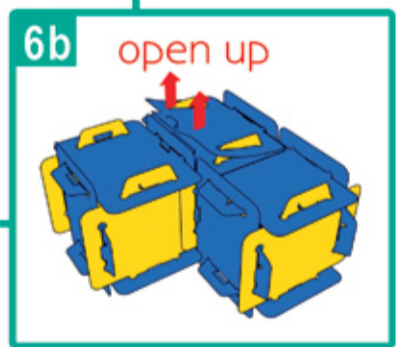
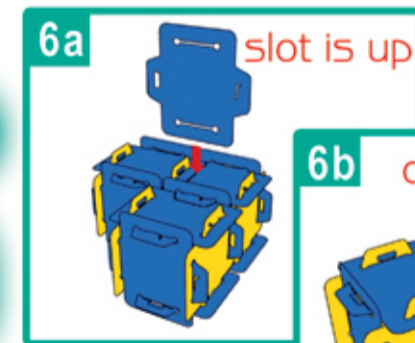
when ever you are doing creative cardstructing, position the cards so the tabs are up

5



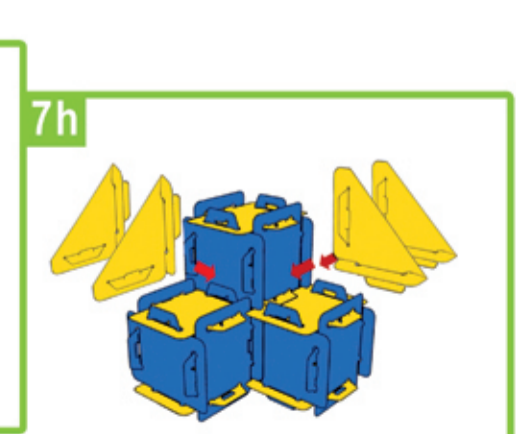
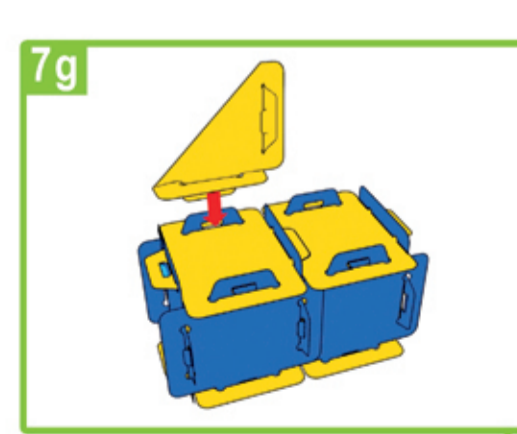
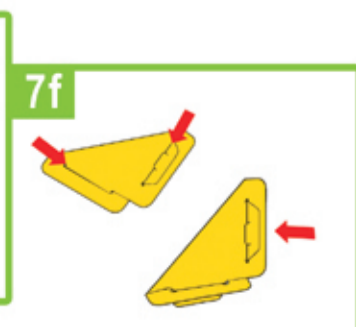
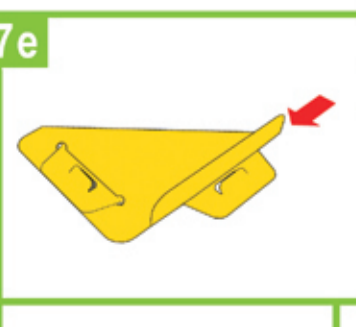
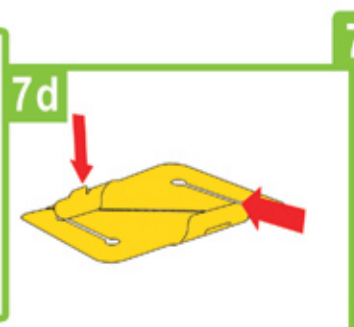
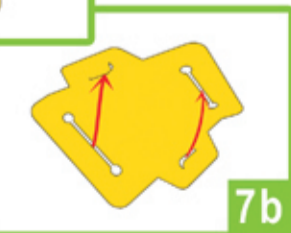
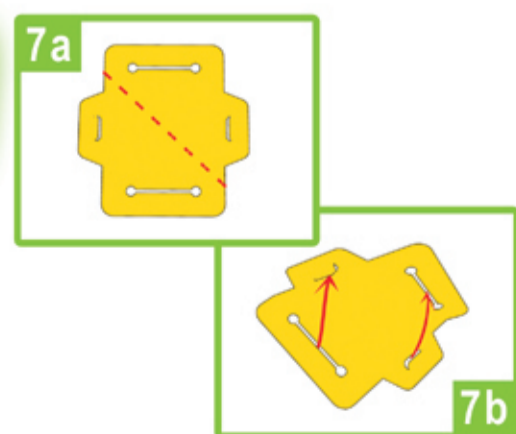
6 Slot Up Building

even though "Slot Up" building is a little harder it is very important to learn



7 Angle Card Building

with angle cards you can create teeth, scales, mouths, and other details for your cardstructing



When ever you need help building sections of any model refer back to the Basic Building Techniques

Go Create!